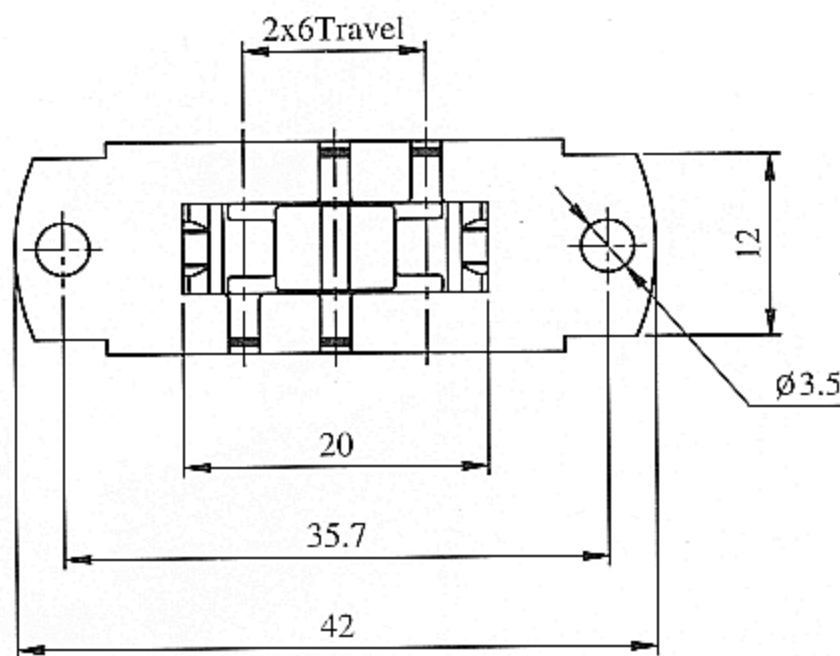
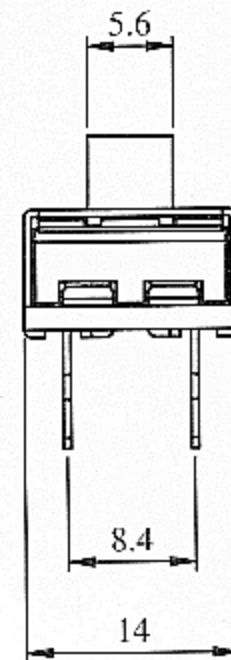
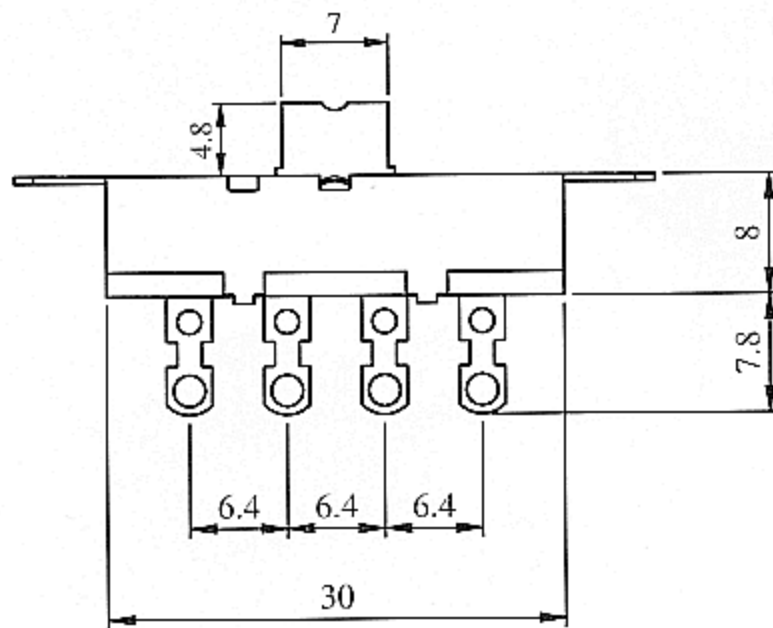
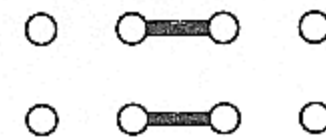


- Single/double pole; 3 throw
- Ratings:
13A 125VAC; 6.5A 250VAC
16A 125VAC; 8A 250VAC
UL & CUL
8A 250VAC TUV
- Features:
knob, terminal & casing options see
selections guide



Circuit diagram



XN-1-2313 - FLN

Double Pole

3 Position

Current at 125VAC

Casing Code

Terminal Code

Knob Code