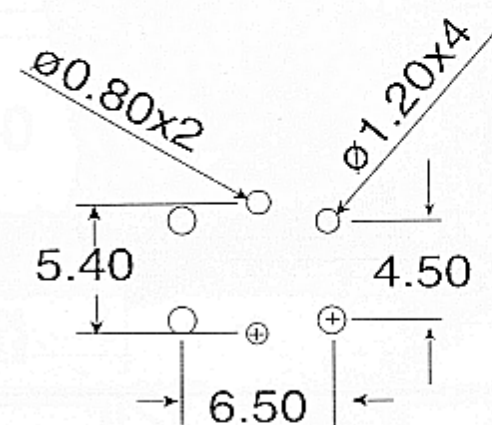
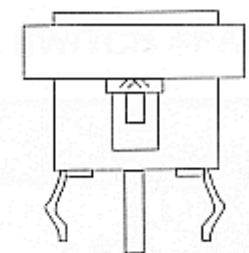
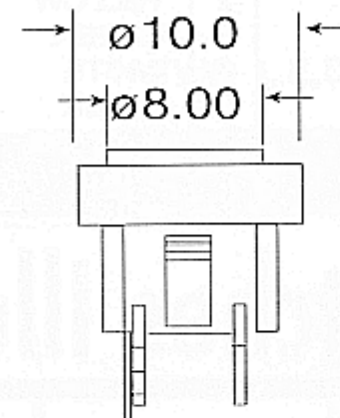
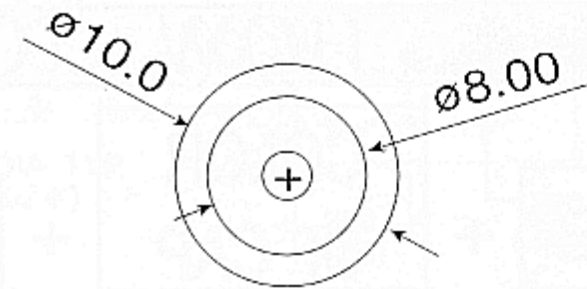
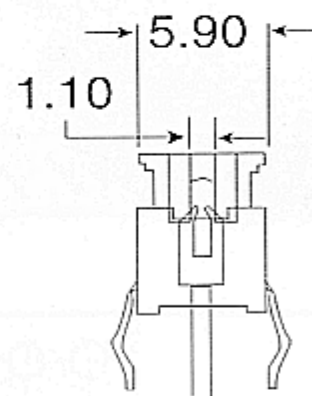
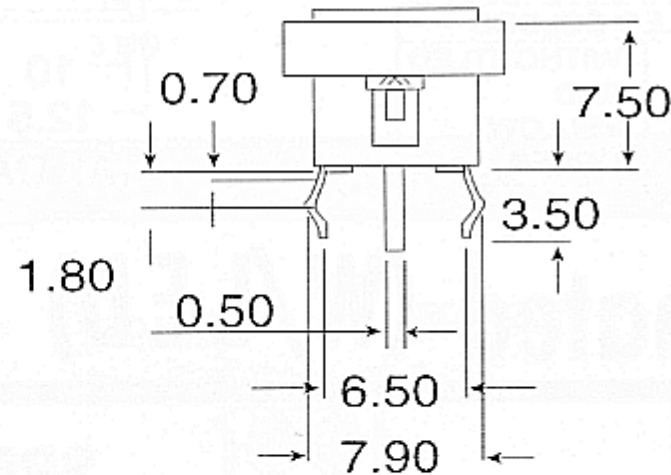
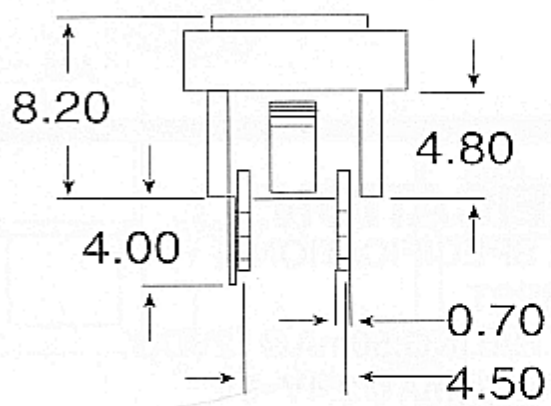
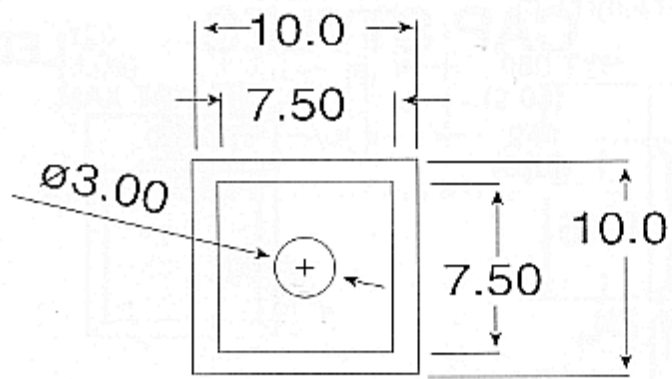


GENERAL SPECIFICATIONS

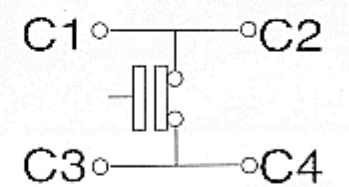
CIRCUIT	:SPDT
CURRENT RATING	:50mA.
VOLTAGE RATING	:12VDC.
DIELECTRIC WITHSTANDING VOLTAGE	:250VAC for 1 minute
CONTACT RESISTANCE	:100m ΩMax.(initial)
INSULATION RESISTANCE	:100m ΩMax
OPERATING FORCE	:160gf ± 30gf
TOTAL TRAVEL	:0.25mm ± 0.2mm
OPERATING LIFE	:100,000 Cycles Min.
SOLDER SPECIFICATIONS	:265°C for 5 second
FUNCTION	:Momentary
OPERATING TEMPERATURE	:+10°C~+60°C

MATERIALS

CAP	:ABS
MOVEMENT	:Nylon
CASE	:PBT
FIXED CONTACT	:PBS+Au
MOVING CONTACT	:SUS+Au



P.C.B Mounting Holes



CIRCUIT DIAGRAM