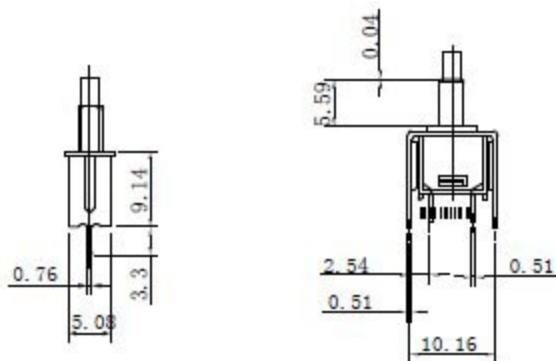


TS-21-A5

FEATURES:

CONTACT RATING: 1A @ 120 VAC or 20 VDC
ELECTRICAL LIFE: 50,000 make-and-break cycles at full load
CONTACT RESISTANCE: 20m Ω max. initial @ 2-VDC, 100mA
INSULATION RESISTANCE: 1,000M Ω min.
DIELECTRIC STRENGTH: 1,500V RMS @ sea level.
OPERATING TEMPERATURE: -50 °C to 85 °C



P. C. MOUNTING

