


Rating: 10A 250V AC (UL CUL)
 10A 250V AC (VDE)
 10A 250V AC (CCC)

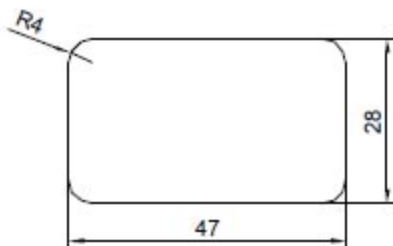
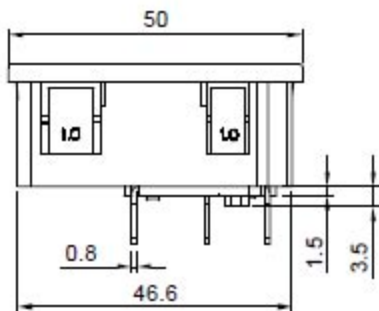
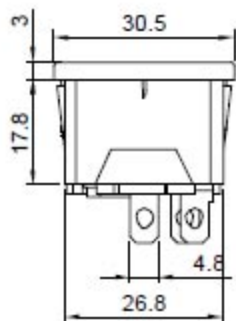


Insulation Resistance: DC 500V 100M Ω Min
 Dielectric Strength: AC2000V 1 minute
 Fuse: Ø5.0x20mm 

MATERIAL:

Body: Nylon66

Terminal: Brass, silver or tin plated



CUT-OUT