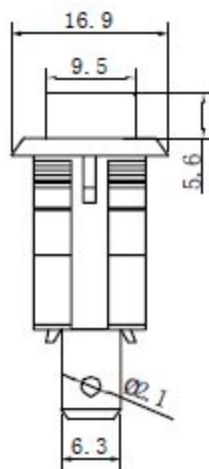
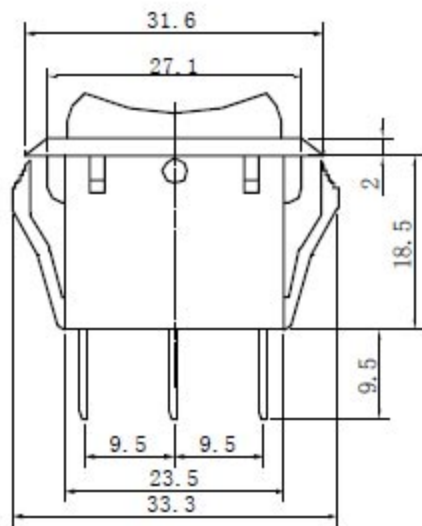


R-2-130-C6N-BB



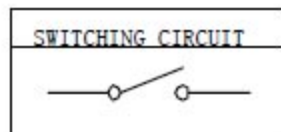
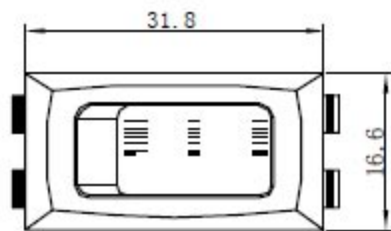
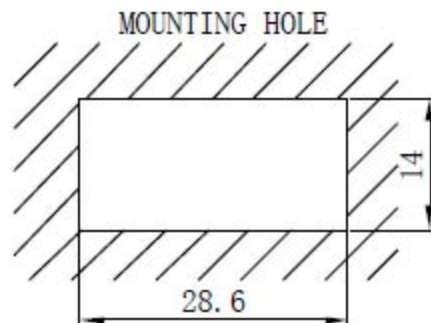
## SPECIFICATIONS:

### 1. RATING:

16A 125VAC/250VAC

10A 250VAC T85(1E4)

2. Contact resistance :20m  $\Omega$  Max
3. Insulation resistance :100 m $\Omega$  Min at 500VDC
4. Dielectric strength :1500VAC / 1 minute
5. Electrical life :10,000 cycles.
6. Temperature range: -20° C to + 85° C



ALU