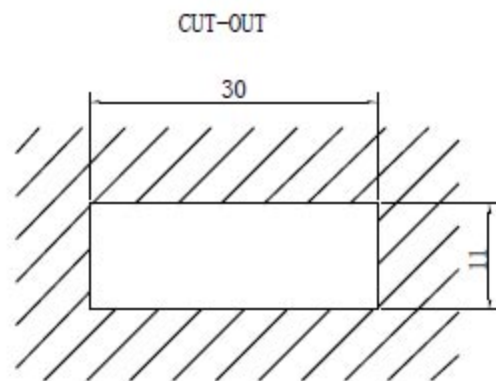
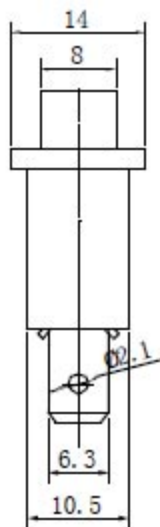
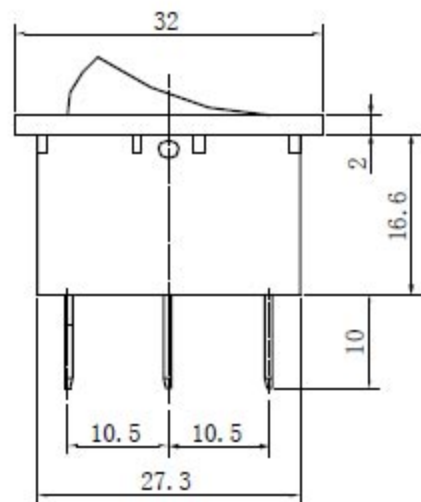


R-1-110-C5L-BG

### Specifications:

1. RATING: 16A @ 125VAC / 250VAC  
16(4)A 250VAC T85 $\mu$  (1E4)
2. CONTACT RESISTANCE: 20m $\Omega$  max.
3. INSULATION RESISTANCE: DC 500V 100M  $\Omega$  min.
4. DIELECTRIC STRENGTH: 1,500VAC/1 Minute



C  US