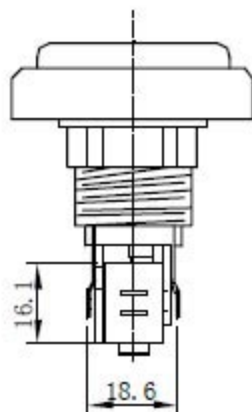
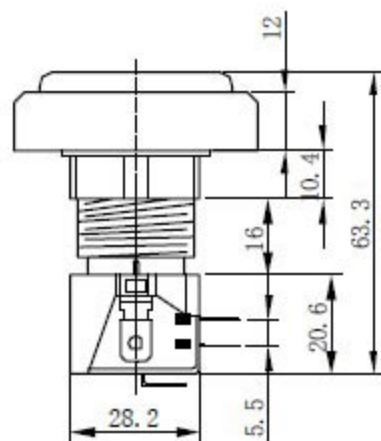
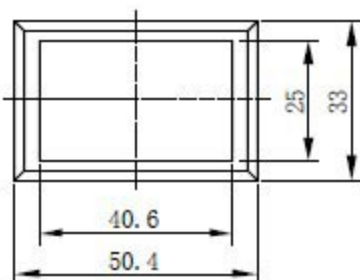
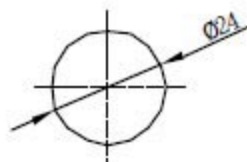


# PBS 长方按钮



## MOUNTING HOLE



## Specifications:

Cat#PBS-11, 12, 14&16 Rating : 1A 250VAC (TUV), 3A 125VAC  
0.3A 50VDC

Cat#PBS-13B/C Rating : 4A 250VAC (TUV), 8A 125VAC

Contact Resistance : 20mΩ max. (initial)

Insulation Resistance : 500VDC 100MΩ min.

Dielectric voltage-withstand: 1000VAC for 1 minute

Operation force : 600 ± 200 gram

Life cycle : 6,000 cycles

Temperature Rang : 0° to +85° C

Base : PC

Actuator: POM, optional color

Cover : PC

Contact : Silver

Terminal: Brass

Washer : steel

Nut : Steel

Switching function: on-off, off-momentary on, or on-momentary off

C  US