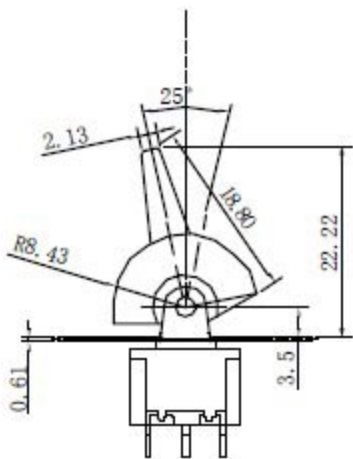
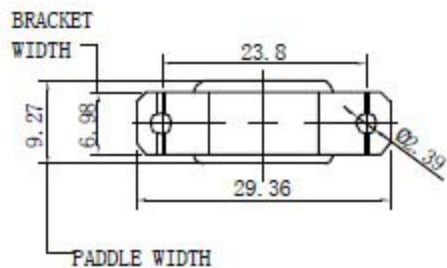
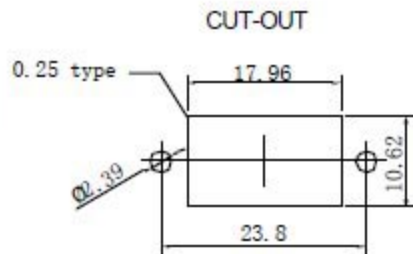


P13



FEATURES:

CONTACT RATING: 6A @ 120 VAC or 28 VDC (Q terminal)
 ELECTRICAL LIFE: 60,000 make-and-break cycles at full load
 CONTACT RESISTANCE: 10m Ω max. initial @ 2-4 VDC, 100mA
 INSULATION RESISTANCE: 1,000M Ω min.
 DIELECTRIC STRENGTH: 1,500V RMS @ sea level.
 OPERATING TEMPERATURE: -30 °C to 55 °C



CALSONIC