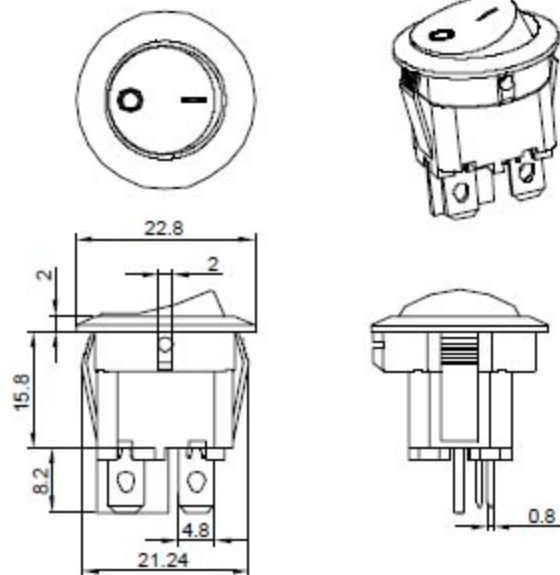


MR-6A



**MATERIAL:**

Body: Nylon66, UL rated: 94V-2 min

Actuator: Nylon66, UL rated: 94V-2 min

Terminal: Brass, silver or tin plated

Rating: 10A 125V AC (UL CUL ) 

6A 250V AC (UL CUL VDE CB) 

Contact Resistance: 50m  $\Omega$  Max

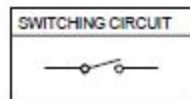
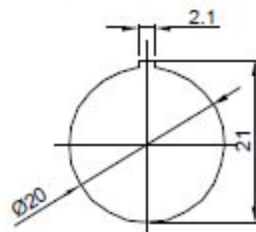
Insulation Resistance: DC 500V 100M  $\Omega$  Min

Dielectric Strength: AC1500V 1 minute

Electrical life: 10,000 cycles

Operating Temperature: 0°C ~ 85°C

**CUT-OUT**



	X	0	1	2	3	4	5
Marking	None	