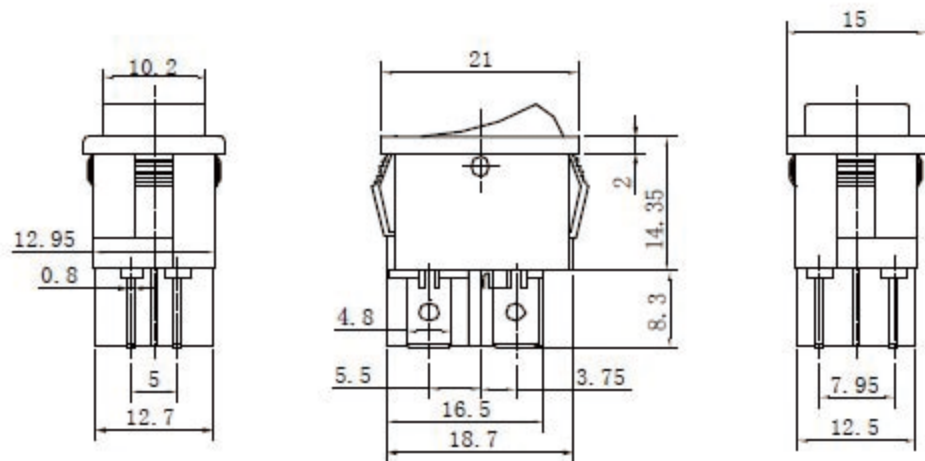


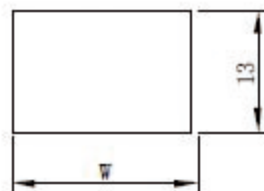
# MR-6-210-C5N-BB



## Specifications:

1. RATING: 10A @ 120VAC / 6A 250VAC (UL CSA)  
6A 250VAC T85 $\mu$  (VDE)
2. CONTACT RESISTANCE: 20m $\Omega$  max.
3. INSULATION RESISTANCE: DC 500V 100MO min.
4. DIELECTRIC STRENGTH: 1,500VAC/1 Minute

### CUT-OUT



W	Panel Thickness
19.2	0.75-1.25
19.4	1.25-2.0
19.8	2.0-3.0