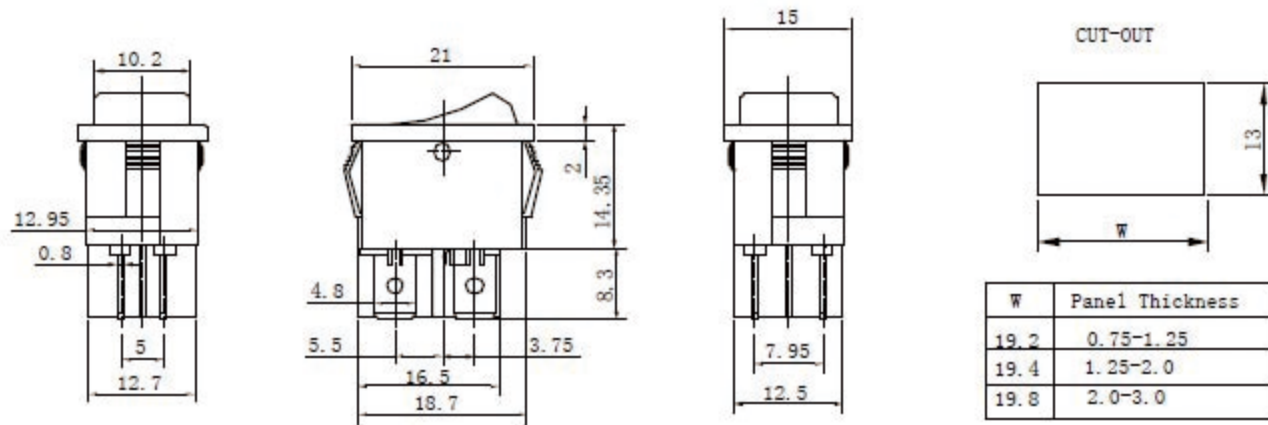


MR-6-210-C5L-BG

Specifications:

1. RATING: 10A @ 120VAC / 6A 250VAC (UL CSA)
6A 250VAC T85 μ (VDE)
2. CONTACT RESISTANCE: 20m Ω max.
3. INSULATION RESISTANCE: DC 500V 100M Ω min.
4. DIELECTRIC STRENGTH: 1,500VAC/1 Minute



W	Panel Thickness
19.2	0.75-1.25
19.4	1.25-2.0
19.8	2.0-3.0