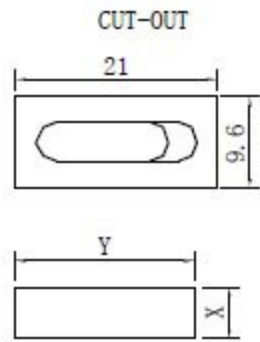
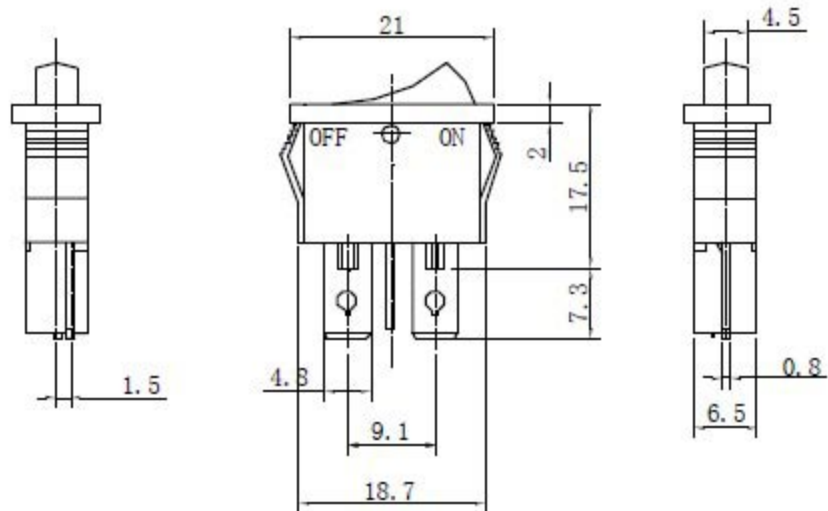


MR-2-110-C5N-BB

Specifications:

1. RATING: 10A @ 125VAC / 6A 250VAC (UL CSA)  
6A 250VAC T85  $\mu$  (VDE)
2. CONTACT RESISTANCE: 20m  $\Omega$  max.
3. INSULATION RESISTANCE: DC 500V 100M  $\Omega$  min.
4. DIELECTRIC STRENGTH: 1,500VAC/1 Minute



Panel Thickness	X	Y
0.7-3	6.8	19.2-19.6

