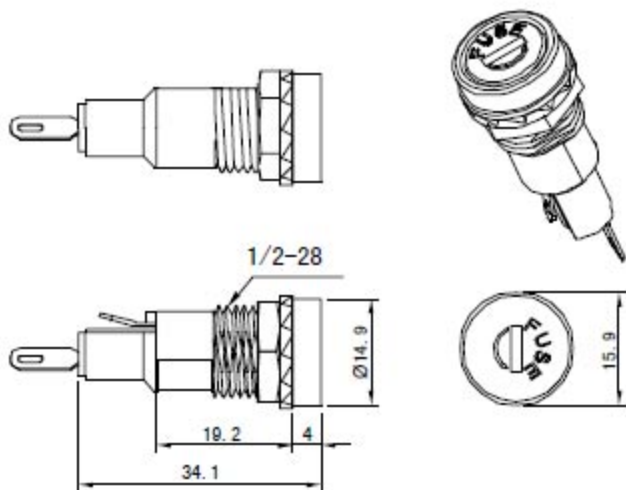


FH1



MATERIAL:

Housing:PBT,UL rated 94V2 min
Bayonet:PBT,UL rated 94V2 min
Terminal:Brass,silver or tin plated
Nut:ABS


Fuse holder for overload protection

Screw-in mounting

Rating: 10A 250VAC (UL,CUL)

Fuse: $\varnothing 5.0 \times 20 \text{ mm}$ 

Cap:Bayonet type

Panel thickness:4.5mm max 

Operating Temperature:-10 °C~+70 °C



E240853



CUT-OUT

