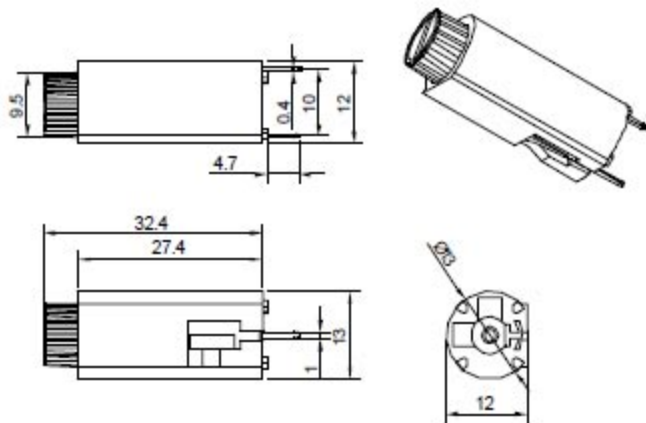


FH1



**MATERIAL:**

Housing:PBT,UL rated 94V2 min

Bayonet:PBT,UL rated 94V2 min

Terminal:Brass,silver or tin plated

Fuse holder for overload protection

Rating: 10A 250VAC (UL,CUL)

Fuse:  $\varnothing 5.0 \times 20 \text{mm}$



Cap:Bayonet type

Operating Temperature:  $-10^{\circ}\text{C} \sim +70^{\circ}\text{C}$



E240653

P.C.B.LAYOUT

