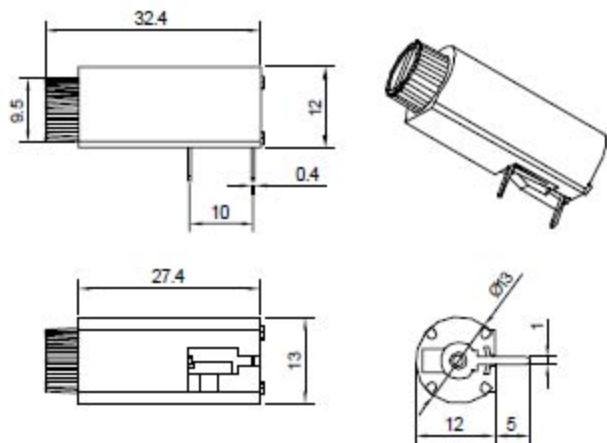


FH1



**MATERIAL:**

Housing:PBT,UL rated 94V2 min  
Bayonet:PBT,UL rated 94V2 min  
Terminal:Brass,silver or tin plated

Fuse holder for overload protection

Rating: 10A 250VAC (UL,CUL)

Fuse:  $\varnothing$ 5.0x20mm



Cap:Bayonet type

Operating Temperature:-10 °C~+70 °C



E240653

P.C.B.LAYOUT

