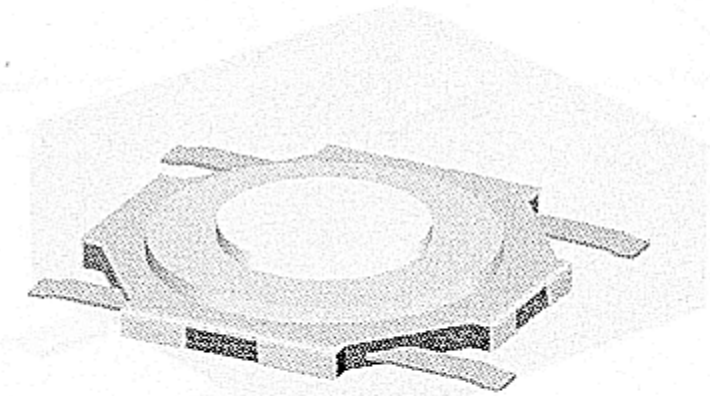
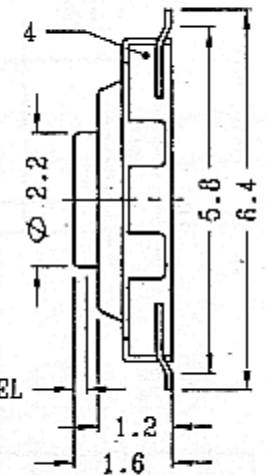


0.2±0.1 TRAVEL



MODEL NO.
TD-13XA

- 1. RATING : DC 12V 50mA
- 2. TRAVEL : 0.3 ± 0.1mm
- 3. CONTACT RESISTANCE 100 m% max
- 4. LIFE: 100,000 cycles min

OPERATING FORCE	O/FORCE	CODE
	160gf	X
250gf	Z	

CIRCUIT DIAGRAM

